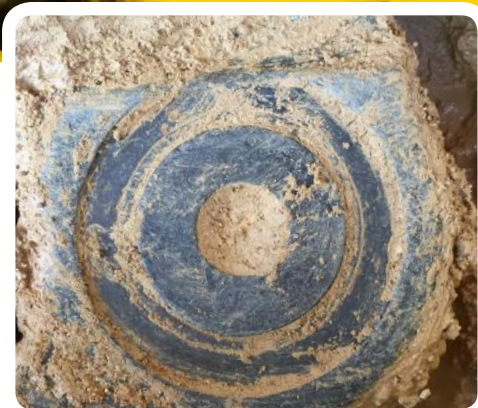




## BERCO Pin Retention 2™



BPR2™ is intended for high-impact and high-load applications such as mining, heavy construction, demolition, and waste disposal. This system's purpose is to mechanically lock the link to the pin, thus avoiding end-play generation and pin walking.

**Prevents end-play generation, increasing the sealability of the joint, for maximum track life**

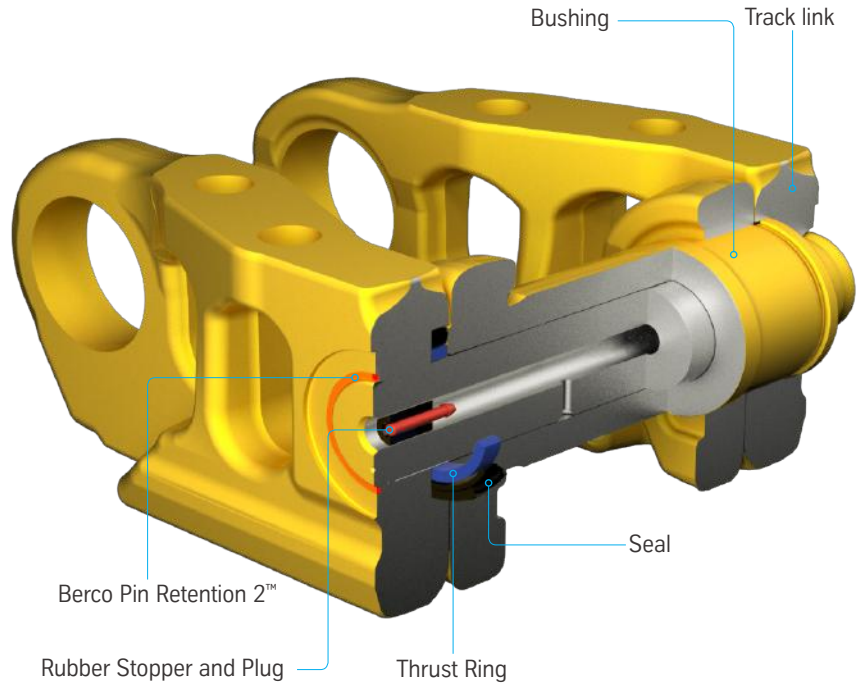
# Maximizes the track life

The BPR2™ system uses a metal ring plastically deformed as a mechanical locking element. This ring is pressed into the groove between the pin and the link, blocking the joint to specific predetermined end-play levels

Completely new and **improved seals**, designed by Berco with materials suitable for **extreme working temperature range**

Optimized pin grants increased link interference and track robustness

**Carburized bushing** with Improved geometry to extend track life



**BPR2™** Is recommended for heavy duty applications such as: mining works, large construction, demolitions, conditions that generate large loads and impacts, twisting the chain and generating axial movements. Even machines equipped with wider shoes than standard, Extreme Service shoes, or Super Extreme Service shoes can mount BPR2™ in order to ensure the reduction of torsional effects on the joint.



## **BPR2™ lowers costs**

The BPR2™ system helps to maximize the working life of the chain to thus reducing the maintenance costs compared to the previous system (BPR)

## **BPR2™ provides interchangeability**

The BPR2™ chains are available for D8T, D9T, D10T, D11T.

Interchangeability with genuine is also ensured at components level for D8T, D9T, D10T (pin, links, bushing, etc.).

For further information refer to your closer Berco Dealer. Check on the site [www.berco.com](http://www.berco.com) for the detailed Dealer Map.

*\*All products shown in this document originate from Berco exclusively.*

*Any references to Caterpillar (the Caterpillar word signs) are mentioned to communicate that the aforementioned products are only suitable for Caterpillar machines with the corresponding model designation.*